



**Exedra2**

***SALICE***



# Exedra2



**Exedra2 Star** and **Exedra2 Smart** are evolutions of the Exedra system, which, thanks to an innovatively-engineered mechanism, enable the simultaneous movement of two linked doors. It is a patented mechanism with assisted door extraction and door insertion, operated by a magnetically-assisted motion-control system that confers a smooth and perfectly balanced movement.

Thanks to the motion-control system, the handle can be fixed at the edges of the doors, allowing effortless opening and closing with one hand. Furthermore, with the aid of the electric Push kit, it is possible to use both versions on handle-less furniture.

The whole mechanism is self-supporting and fixed to the side of the cabinet; there are no load-bearing frontal profiles on either the top or bottom of the cabinet, thus eliminating any need for additional central supports.

**Exedra2 Star** and **Exedra2 Smart** can be used in a host of application to enable a significant functional optimisation of space, from walk-in wardrobes to larger units for kitchens, home office solutions and in storage applications.



**Exedra2 Star • Exedra2 Smart**



**Technical Information**

DOUBLE pocket door system with cam-assisted door extraction and cushioned door insertion.

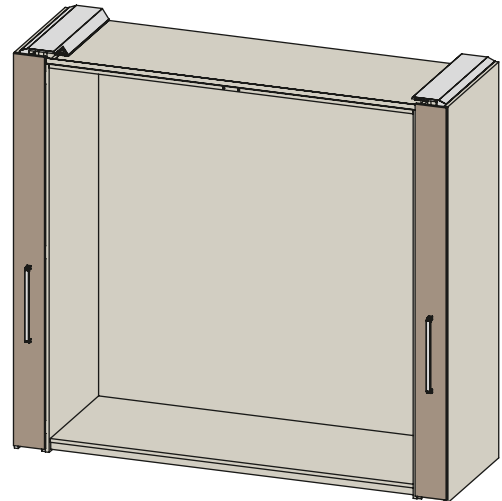
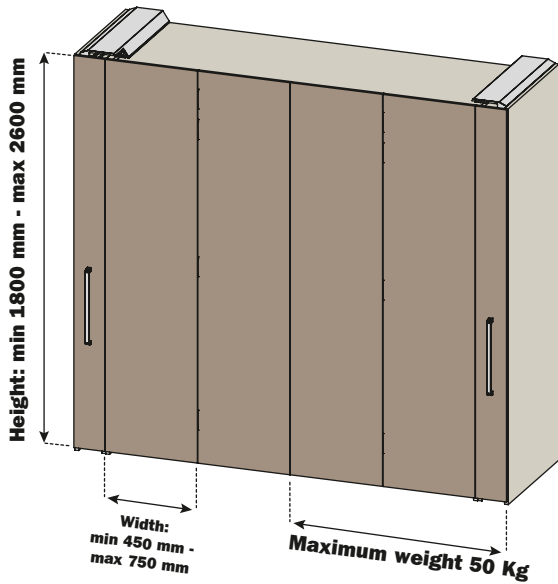
Door characteristics:

Adjustment:

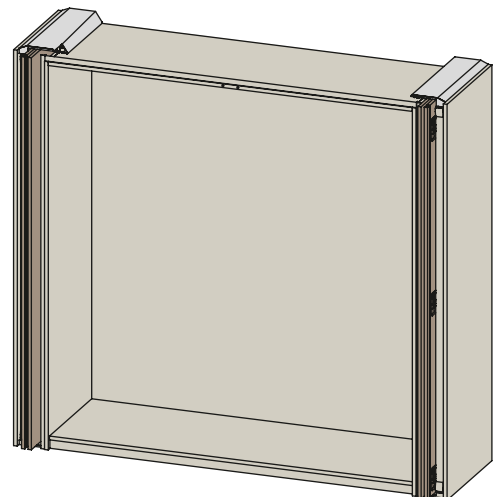
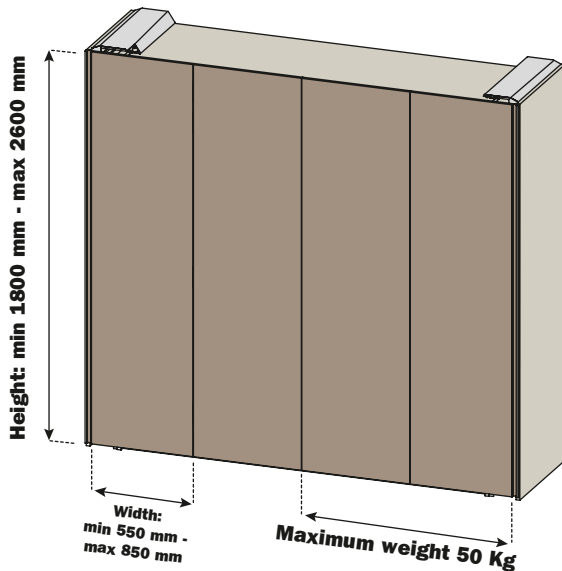
- vertical adjustment  $\pm 5$  mm
- horizontal adjustment  $\pm 3.5$  mm
- front adjustment: - upper  $\pm 3$  mm  
- lower  $\pm 2$  mm

- Maximum weight for single door: 25 Kg
- Doors thickness: min 18 mm - max 25 mm
- Width of single door – Exedra2 Star: min 450 mm - max 750 mm
- Width of single door – Exedra2 Smart: min 550 mm - max 850 mm
- Doors height: min 1800 mm - max 2600 mm

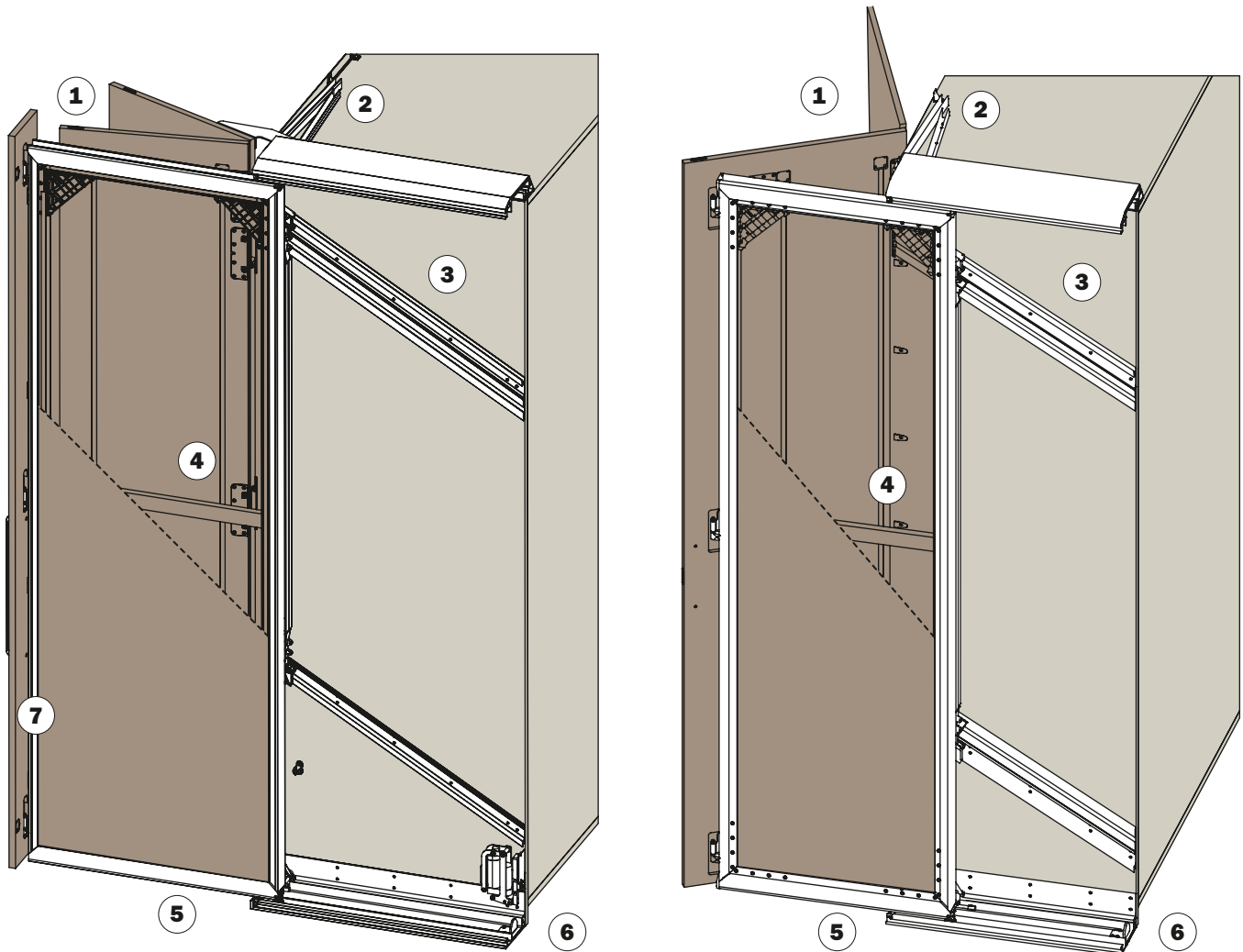
**Exedra2 Star**



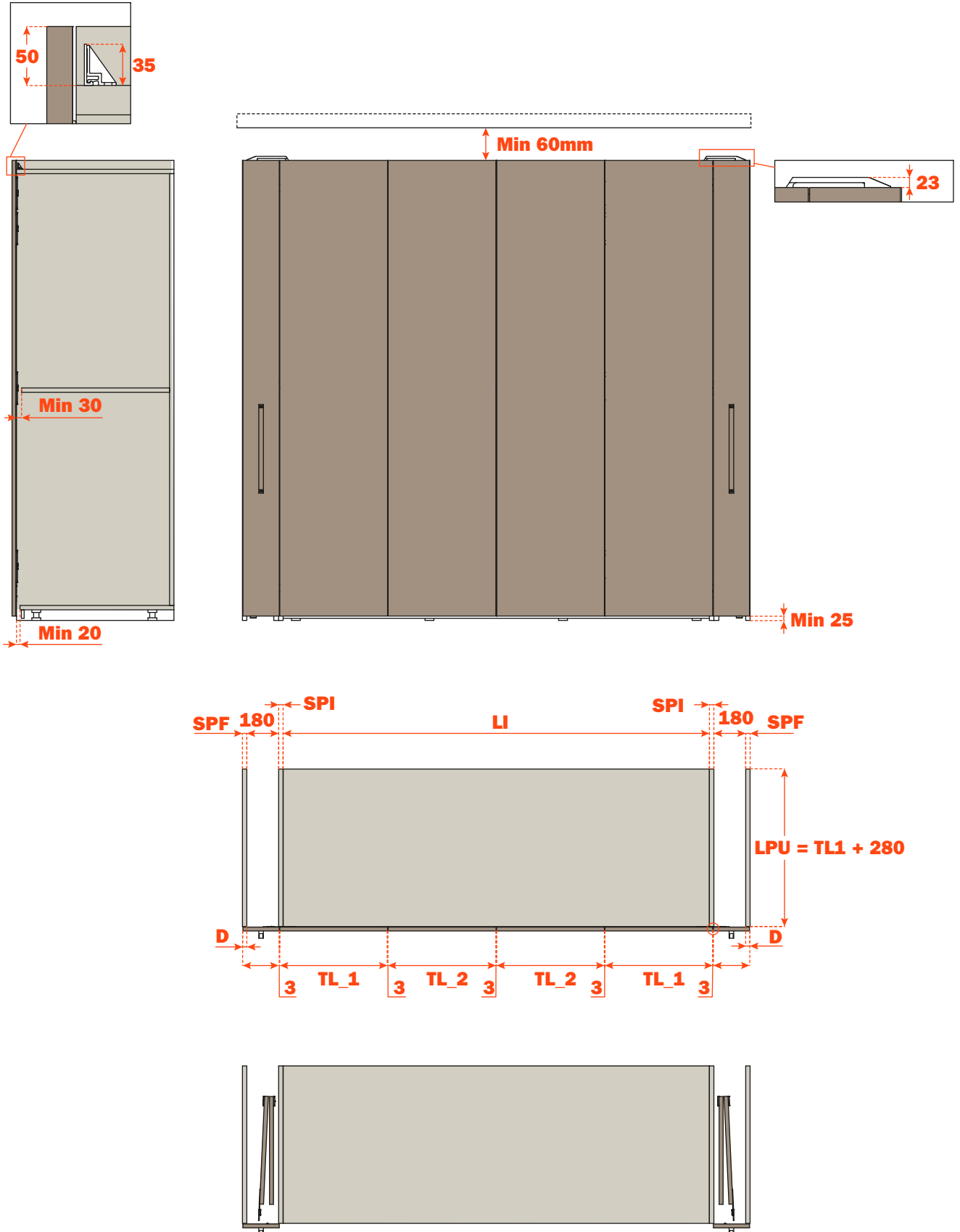
**Exedra2 Smart**



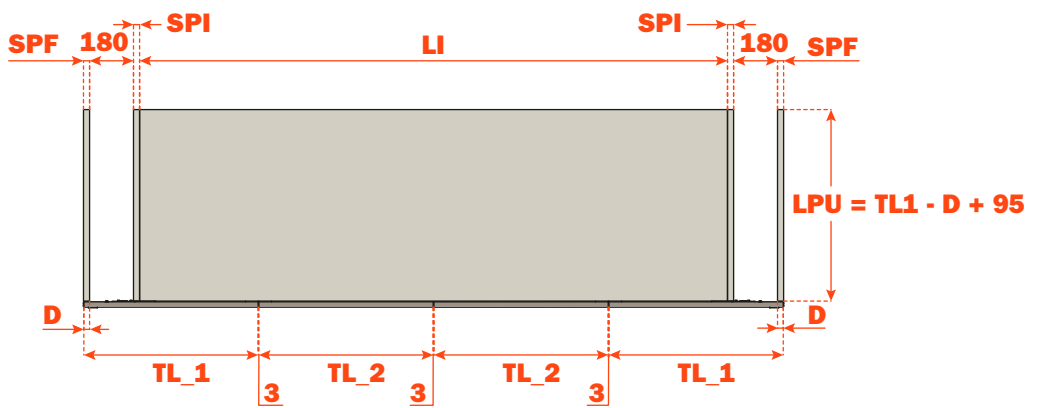
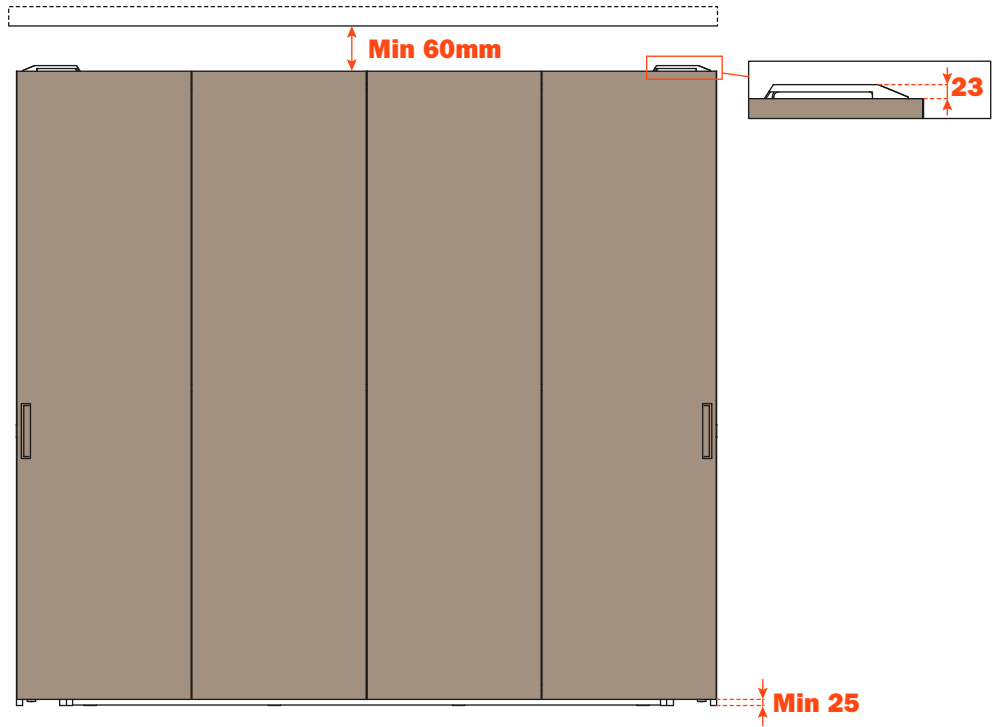
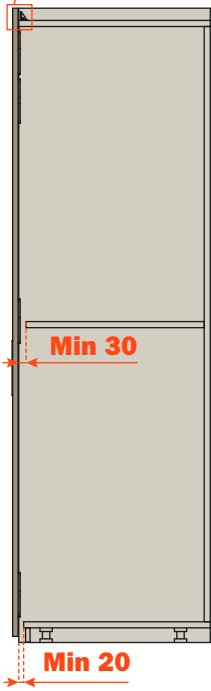
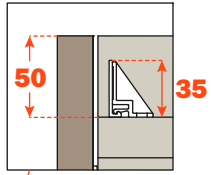
- 1** - Unique patented door opening system. The exterior surfaces of the doors are always protected during the opening and closing cycles.
- 2** - None load-bearing track on the top of the cabinet.
- 3** - Magnetic buffer for assisted cushioned doors insertion.
- 4** - Structural aluminium frame for doors movement.
- 5** - Frontal insertion of the load-bearing frame facilitating its installation in a wall recess.
- 6** - Side frame to support the lower load-bearing track. All of the load is carried by the side panel. The track does not require ground support.
- 7** - Anti-crush device.



**Exedra2 Star**



# Exedra2 Smart



## Exedra2 Assembly and examples

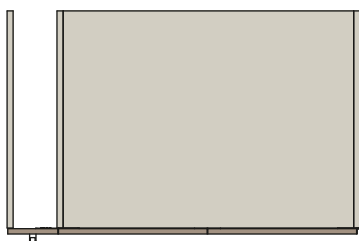
The right mechanism and the left mechanism are independent of each other, therefore it is possible to order them individually. If they are installed on the same cabinet, they must be configured as a pair.

**Exedra2 Star** is the version where the compartment that houses the mechanism is always hidden by the cover panel which is fixed to the front of the system.

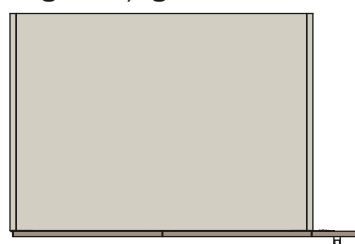
**Exedra2 Smart** is the version that requires less depth of the cabinet; the door edges are visible when they are folded into their compartment. Both versions are available with the electric Push kit for the opening of handle-less furniture.

**Exedra2 Star** is the version where the compartment that houses the mechanism is always hidden by the cover panel which is fixed to the front of the system.

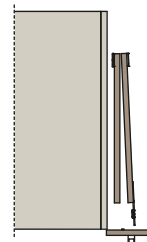
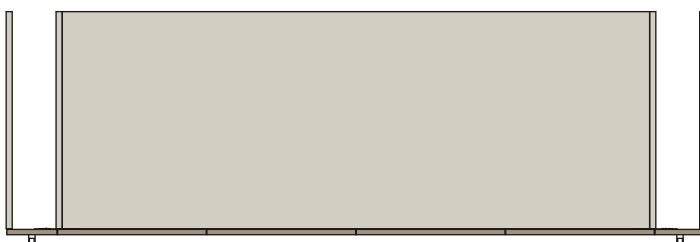
**Single door, left mechanism**



**Single door, right mechanism**



**Double doors, pair of mechanism (left and right)**



**Exedra2 Smart** is the version that requires less depth of the cabinet; the door edges are visible when they are folded into their compartment.

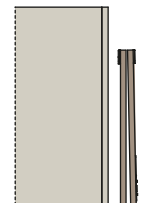
**Single door, left mechanism**



**Single door, right mechanism**



**Double doors, pair of mechanism (left and right)**





The Exedra2 system is the ideal mechanism in a host of applications. The absence of a frontal lower track makes it adaptable to any application, from traditional cabinets to walk-in wardrobes.

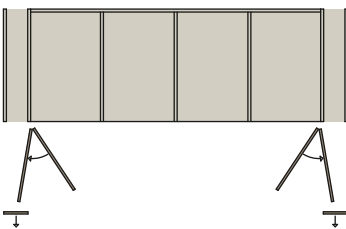
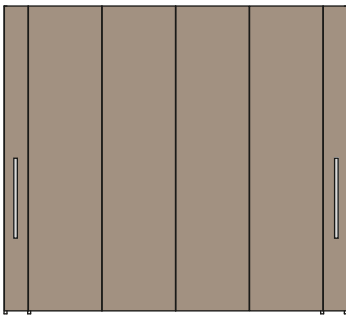
The system does not necessarily have to be placed on the floor, therefore it is possible to create systems raised from the ground or placed on a cupboard or a chest of drawers.

Thanks to the innovative door movement system with its moving load-bearing frame, the weight of the system and the doors is carried solely by the side of the cabinet; the system places no load on the top of the cabinet. As a result, double systems with an enormous free internal span of 3000 mm are possible without requiring a central panel or support.

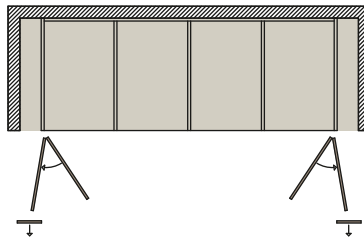
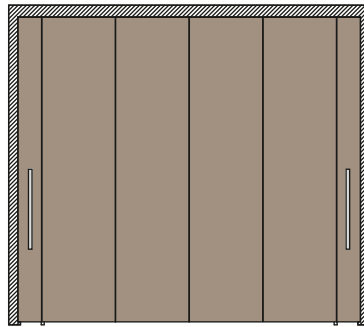
---

### Exedra2 Star

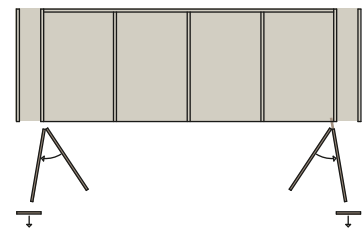
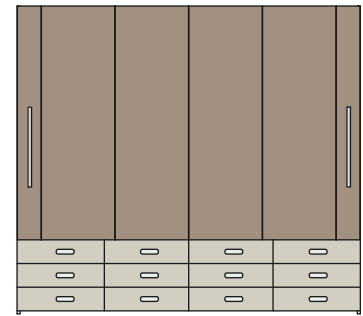
**Traditional**



**In wall recess**



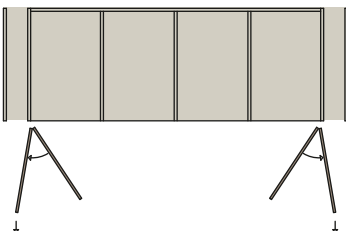
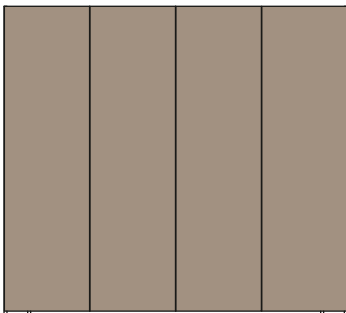
**Raised from the ground**



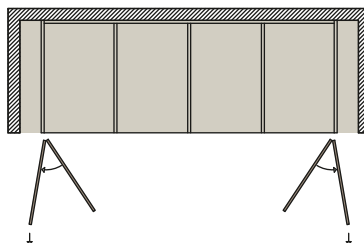
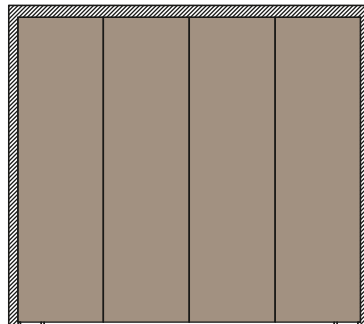
---

### Exedra2 Smart

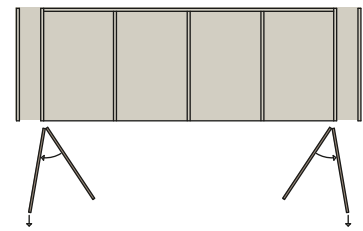
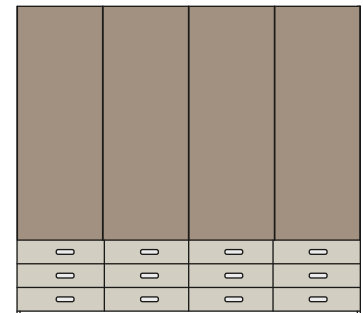
**Traditional**



**In wall recess**



**Raised from the ground**







**Optional**

## Exedra2

### Magnets kit to protect doors.

It is required to maintain the minimum distance between the doors during the folding phase and to prevent accidental collisions between the doors in case of improper use of the mechanism.

4x	4x	8x	<b>Part number</b>	
			VE56KIT001	Magnets kit to protect doors

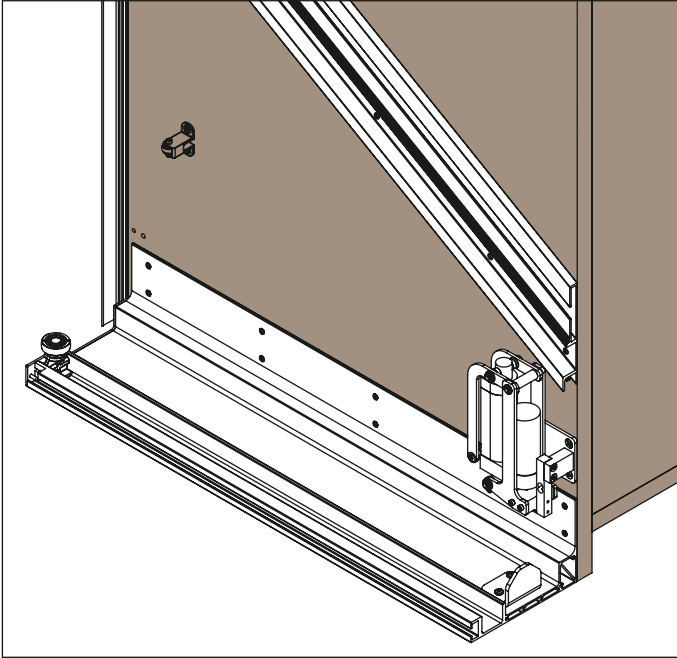
### Smove kit for internal door.

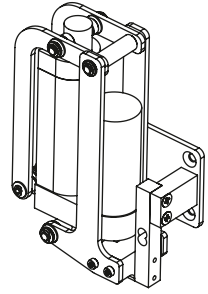
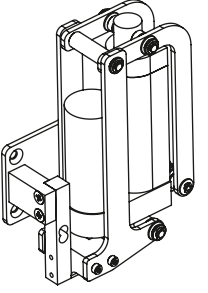
It is required to prevent any impact and/or contact between the internal door and the top of the cabinet during the closing movement.

	<b>Part number</b>	
2x	VE56KIT002	Smove kit for internal door

**Electric Push kit.**

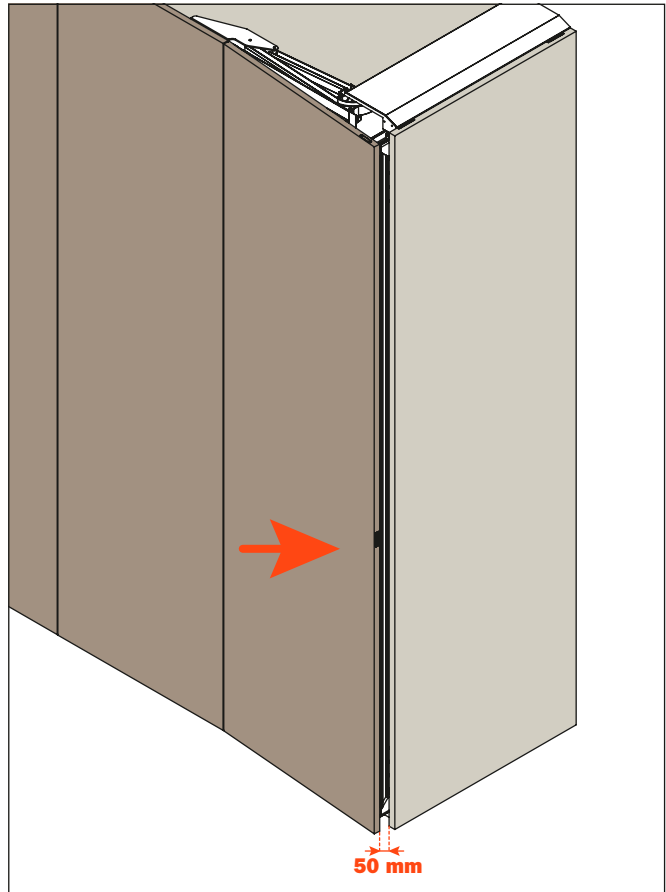
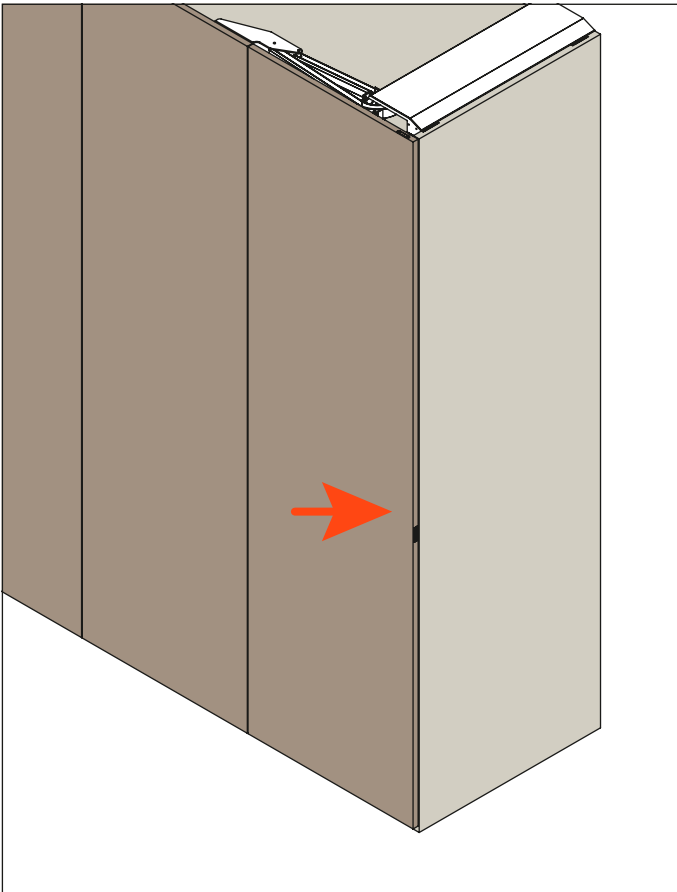
It converts an Exedra2 mechanism from manual to power-assisted opening.



	Part number	
	VE56EPP0010	Electric Push kit right cabinet side
	VE56EPP0020	Electric Push kit left cabinet side

**Mode of operation.**

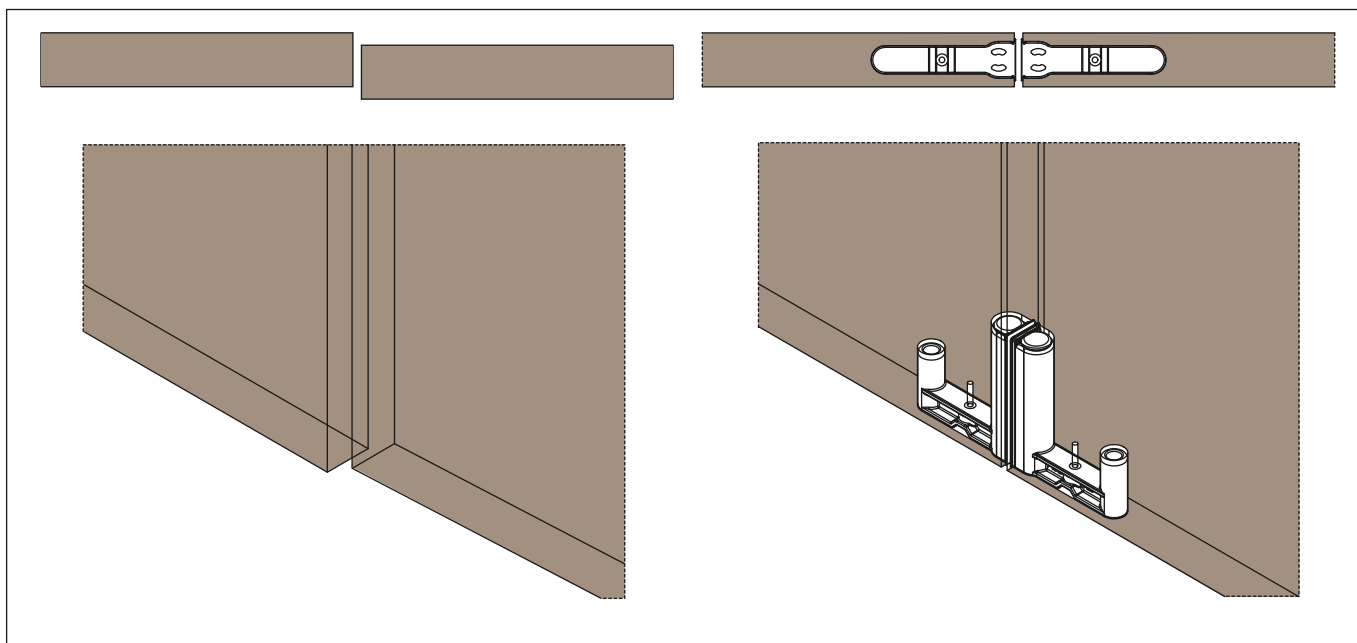
A slight pressure on the external door or on the cover panel activates the electrical system and the door moves outwards by approx. 50 mm. At this point, the opening operation is completed manually. If the opening operation is not completed manually, the external door is automatically returned to the fully-closed position after an interval of 10 seconds.

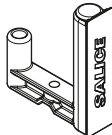


## Exedra2

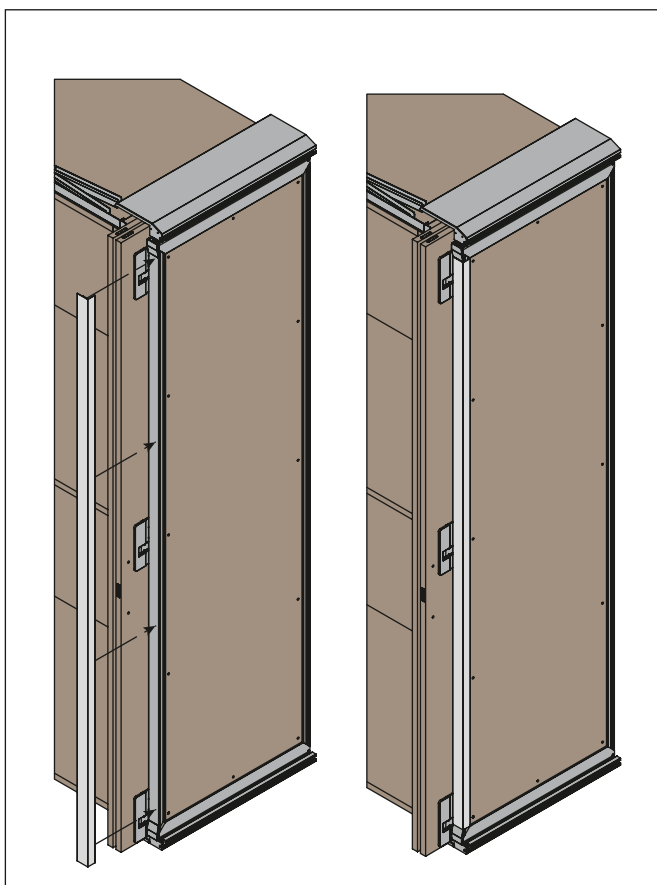
### Doors alignment kit.

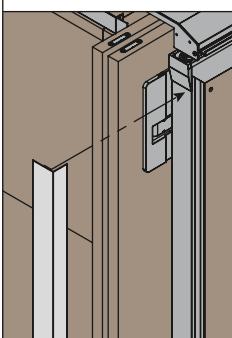
It is required to align the doors in applications with a pair of Exedra2 (right + left).

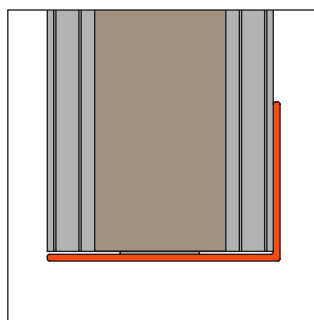


	Part number	
	VE56KIT0003	Doors alignment kit

### Frame cover for Exedra2 Smart



	Part number	
	VE56KIT0200A7	Frame cover <b>can be coated by the customer</b> L=2600 mm
	VE56KIT0200S7	Frame cover <b>metal grey</b> L=2600 mm





## ARTURO SALICE S.p.A.

VIA PROVINCIALE NOVEDRATESE, 10  
22060 NOVEDRATE (COMO) ITALIA  
TEL. 031 790424 - FAX 031 791508  
info.salice@salice.com - www.salice.com

### DEUTSCHE SALICE GMBH

RUDOLF DIESEL STR. 10  
74382 NECKARWESTHEIM  
TEL. 07133 9807-0  
FAX. 07133 9807-16  
info.salice@deutschesalice.de  
www.salice.com

### DEUTSCHE SALICE GMBH

VERKAUFSBÜRO NORD  
RINGSTRASSE 36/A30 CENTER  
32584 LÖHNE  
TEL. 05731 15608-0  
FAX. 05731 15608-10  
vknord@deutschesalice.de  
www.salice.com

### SALICE UK LTD.

KINGFISHER WAY  
HINCHINGBROOKE BUSINESS PARK  
HUNTINGDON CAMBS PE 29 6FN  
TEL. 01480 413831  
FAX. 01480 451489  
info.salice@saliceuk.co.uk  
www.salice.com

## BORTOLUZZI SISTEMI S.p.A.

VIA CADUTI 14 SETTEMBRE 1944, 45  
32100 BELLUNO ITALIA  
TEL. 0437 930866 - FAX 0437 931442  
info@bortoluzzi.com - www.bortoluzzi.com

### SALICE FRANCE S.A.R.L.

285 RUE DE GOA ZAC LES 3 MOULINS  
06600 ANTIBES  
TEL. 0493 330069  
FAX. 0493 330141  
info.salice@salicefrance.com  
www.salice.com

### SALICE ESPAÑA, S.L.U.

C/ AIGUAFREDA 4, P.I. AMETLLA PARK  
08480 L'AMETLLA DEL VALLÈS (BARCELONA)  
TEL. 0034 938 46 88 61  
info.salice@saliceespana.es  
www.salice.com

### SALICE PORTUGAL UNIP. LDA

#### SHOWROOM:

TV SÁ E MELO 161 FA  
4470-116 MAIA - PORTO  
TEL: 00351 224 154 221  
Info@saliceportugal.pt  
www.salice.com

#### ARMAZÉM:

VIA ROTA DOS MÓVEIS I 399  
4585-325 GANDRA

### SALICE CHINA (SHANGHAI) CO. LTD.

1st FLOOR, B1 BLDG 928 MINGZHU ROAD  
XUJING, QINGPU DISTRICT  
SHANGHAI 201702 - CHINA  
TEL. 021 3988 9880  
FAX. 021 3988 9882  
info.salice@salicechina.com  
www.salicechina.com

### SALICE INDIA PVT. LTD.

1001 & 1002, 10TH FLOOR,  
CENTRUM, PLOT NO. C-3,  
OPP. WAGLE PRABHAG SAMITI OFFICE,  
MIDC AREA, WAGLE INDUSTRIAL ESTATE,  
THANE - 400604, MAHARASHTRA  
TEL. 022 20812050  
info@saliceindia.com  
www.salice.com

### SALICE CANADA INC.

3500 RIDGEWAY DRIVE,  
UNIT#1  
MISSISSAUGA, ONTARIO, L5L 0B4  
TEL. 905 820 8787  
FAX. 905 820 7226  
info.salice@salicecanada.com  
www.salicecanada.com

### SALICE AMERICA INC.

2123 CROWN CENTRE DRIVE  
CHARLOTTE NC. 28227  
TEL. 704 841 7810  
FAX. 704 841 7808  
info.salice@saliceamerica.com  
www.saliceamerica.com



Digital contents

We reserve the right to change technical specifications.



DOCASS016ENG Ed. 02 - 03/2024